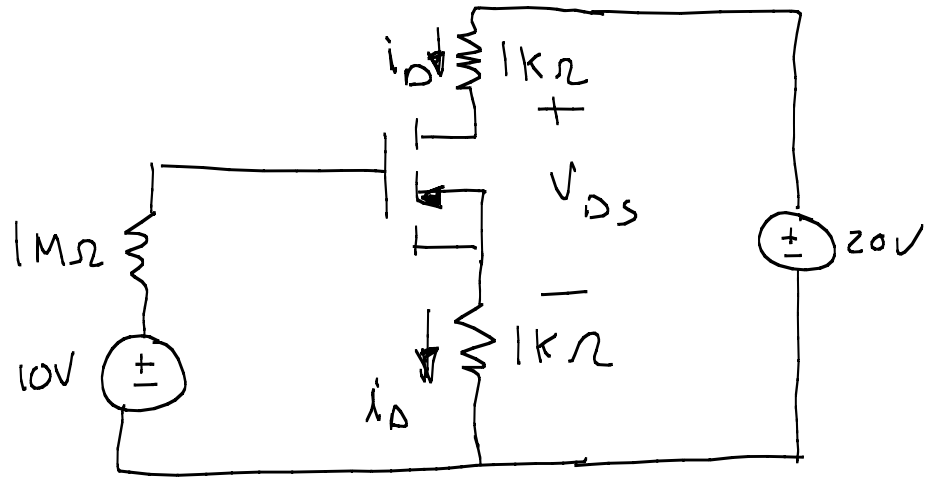


Determine
 i_D & V_{DS}



$$V_{t0} = 4\text{V}, K = 1\text{mA/V}^2$$