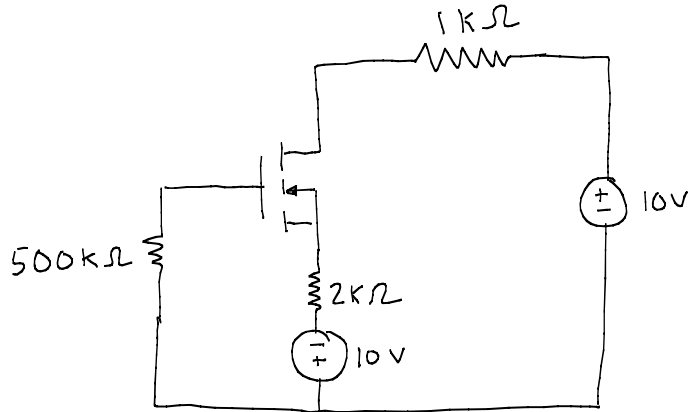
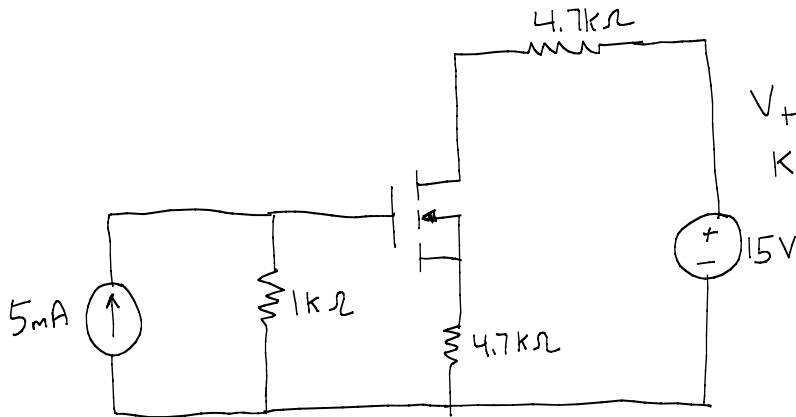


Determine i_D and v_{DS} for the following MOSFET circuits.



$$V_{t0} = 1\text{V}$$
$$K = 0.25\text{mA/V}^2$$

(1)



$$V_{t0} = 1\text{V}$$
$$K = 0.25\text{mA/V}^2$$

(2)