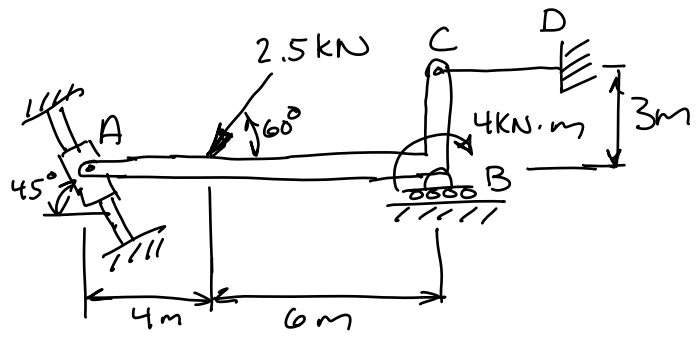


Support Reactions

Problem Statement: Determine the support reactions.



1.) Draw the FBD.

2.) Enforce equilibrium.