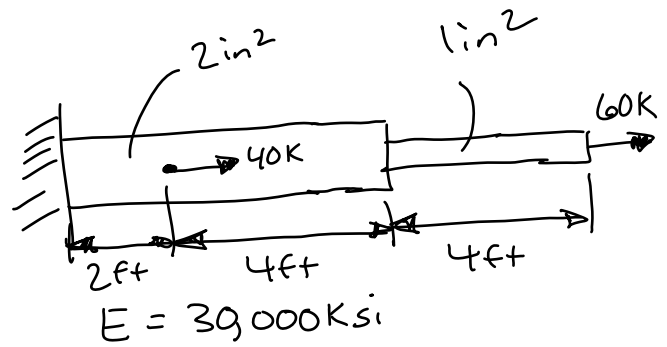


Axial Members

Problem Statement: Determine the total elongation or shortening.



1.) Determine the number of segments.

2.) Determine the internal force in each segment

3.) Determine the elongation/shortening for each segment, and add to get the total displacement